



प्रवर्तन निदेशालय

भारत सरकार

उपक्षेत्रीय कार्यालय -,

कक्षा क्रमांक -302-303, ए बी ब्लॉक, केन्द्रीय उत्पाद शुल्क भवन,

न्यू धमतरी रोड, टिकरापारा, रायपुर (छत्तीसगढ़) 492001

दूरभाष फैंक्स / : 0771-2274900 / 2274225 ई - मेल : ed.raipur@gov.in

Directorate of Enforcement

Govt. of India

Sub-Zonal Office,

Room No. 302-303, A-B Block, Central Excise Building,

New Dhamtari Road, Tikrapara, Raipur (Chhattisgarh) 492001

Tel. / Fax : 0771-2274900/2274225; E-mail : ed.raipur@gov.in

फा. सं. : D-04/01/RPSZO/2017/1850

रायपुर, दिनांक: 13-03-2017

प्रति,

उप निदेशक (प्रशासन)

भारत सरकार,

6वाँ तल, लोक नायक भवन,

खान मार्केट,

नई दिल्ली- 110003

महाशय,

विषय: Limited Tender Notice for purchase of office tables - reg.

Kindly refer to the above subject.


In this regard it is to inform that the advertisement for inviting Tenders for purchase of office tables for Enforcement Directorate, Sub-zonal office, Raipur will be appearing in the newspaper on 16.03.2018.

Accordingly a soft copy of the limited tender notice as mentioned in the advertisement is enclosed with a request that the same may kindly be uploaded in the website if Enforcement Directorate immediately.

This is issued with the approval of Joint Director, Goa.

संलग्नक : यथोपरि

भवदीय


(श्रीकांत पुरोहित)
सहायक निदेशक



प्रवर्तन निदेशालय

भारत सरकार

उपक्षेत्रीय कार्यालय -

कक्षा क्रमांक -302-303, ए बी ब्लॉक, केन्द्रीय उत्पाद शुल्क भवन,

न्यू धमतरी रोड, टिकरापारा, रायपुर (छत्तीसगढ़) 492001

दूरभाष फैंक्स / : 0771-2274900 / 2274225 ई - मेल : ed.raipur@gov.in

Directorate of Enforcement

Govt. of India

Sub-Zonal Office,

Room No. 302-303, A-B Block, Central Excise Building,

New Dhamtari Road, Tikrapara, Raipur (Chhattisgarh) 492001

Tel. / Fax : 0771-2274900 / 2274225; E-mail : ed.raipur@gov.in

फा. सं. : D-04/01/RPSZO/2017

रायपुर, दिनांक: 13-03-2017

LIMITED TENDER NOTICE

The Enforcement Directorate, Raipur Sub- Zonal Office proposed to purchase office tables for its new premises 2nd floor, A-1 block, Pujari Chambers, Pachpednaka, Raipur. In this regard limited tenders in sealed envelope are invited for the purchase office tables as per below mentioned format.

Sr. No.	Name of the party	Description of Work	No.	Rate	Amount
01		Office Table: 1. Table having dimensions 78"*24"*30" and side table 30"*24"*30". 2. Table having dimensions 75"*24"*30" and side table 24"*24"*30". 3. Table having dimensions 78"*24"*30" and side table 30"*24"*30". 4. Table having dimensions 93"*30"*30" and side table 27"*24"*30". Made of prelaminate board having colour wooden brown. drawer having 02 shelves, a storage & a keyboard tray. Thickness top 25mm, base 18mm (measurement may vary according to sitting plan attached)	02 01 01 15		

All Quotations may be type written and to be placed in sealed envelopes marked " Quotation for Office table " addressed to the Enforcement Directorate, Room No. 302-303, AB Block, Central Excise Bldg, New Dhamtari Road, Tikrapara, Raipur, CG-492001 shall be submitted before submitted on or before 26.03.2018 by 16:00 Hrs.

Terms & Conditions:

1. Quoted rates will remain valid for a period of two months.
2. Work to be completed within a fortnight of receiving the order.
3. Supplier may visit the office site for clarification/measurement if any.

This office reserves the right to accept or reject any tender, even the lowest one, without assigning any reasons thereof.

For clarifications, if any you may please contact:

The Assistant Director (Admn),

Enforcement Directorate,

Room No. 302-303, AB Block,

Central Excise Bldg, New Dhamtari Road, Tikrapara,

Raipur, CG-492001

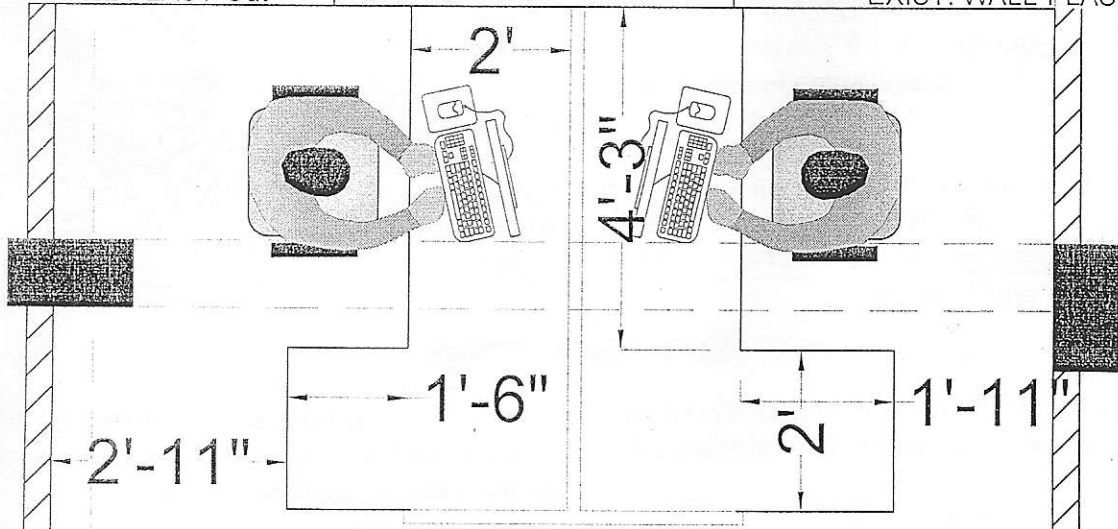
Date :


(Sreekant Purohit)
Assistant Director

W

EXIST. WALL-PLAST-Out

EXIST. WALL-PLAST-Out



STAFF ROOM-2

12'-6" x 23'-5"

